



Specification of Interactive Flat Panel for Business

Model:AS-IWB75



CONTENT

1. Product Function-----	1
1.1. Product Function-----	1
2. Product Appearance-----	2
2.1. Product Details-----	2
3. Product Parameters-----	3
3.1. LED Panel/Touch Parameters/Camera-----	3
3.2. Android System Parameters-----	5
3.3. Android AIO interfaces-----	5
3.4. General Parameters-----	6
4. Accessories-----	7
5. Package & Installation-----	8
5.1. Package-----	8
5.2. Installation-----	8
6. Disclaimer-----	9

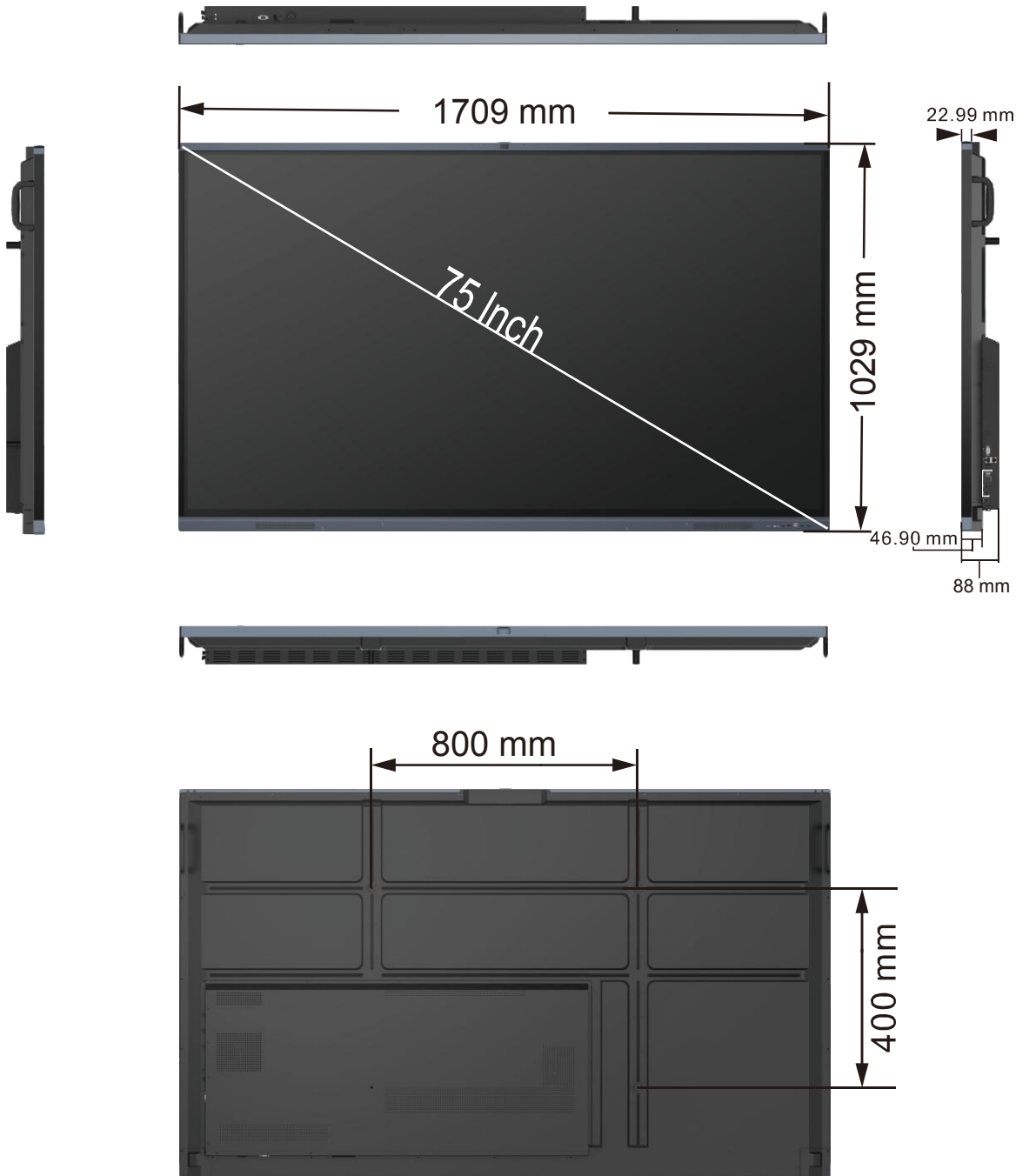
1. Product Function

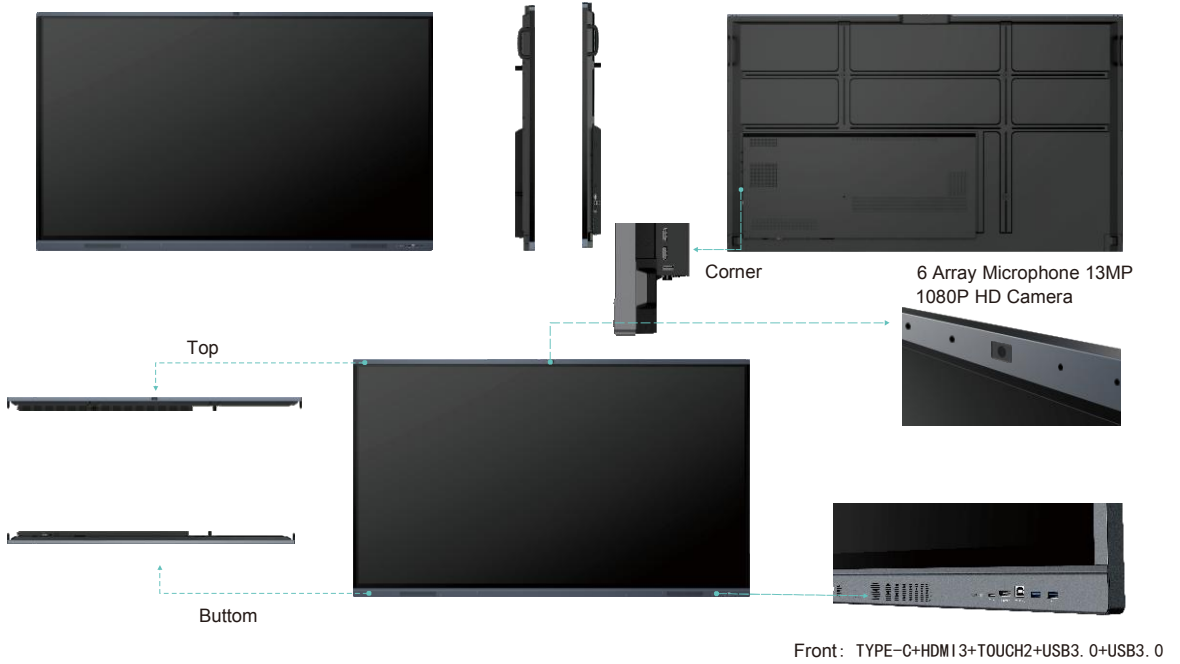
1.1 Product Features

- (1) Ultra-narrow frame design, camera & microphone module integrated built-in frame design, simple appearance.
- (2) Support 2 stylus magnetic adsorption, convenient storage.
- (3) Zero lamination process, low parallax writing, wider viewing angle.
- (4) 3mm anti-glare tempered glass with high haze OC, anti-ambient light interference, clearer display.
- (5) Support light sensitivity to adjust brightness, support DC dimming (to remove screen flash), and the display is more eye-friendly.
- (6) Equipped with 4K UHD display, supporting full-channel 4K UI display.
- (7) 2-way front USB3.0+2-way onboard USB3.0, support switch with channel.
- (8) Support wireless screen sharing function.
- (9) ± 1 mm High-precision infrared touch, smoother writing.
- (10) Supports two-pen writing at the same time and two-color display, making it easier for multiple people to collaborate.
- (11) Support Wi-Fi6, dual-band 2.4G/5G, AP+STA working mode.
- (12) Built-in 6-array microphone and 13 million auto focus camera.
- (13) In standby state, HDMI/VGARS232 channel & network signal input intelligent wake-up.
- (14) Support One Net-com, Android and OPS are Gigabit networks.
- (15) Support for network sharing.

2. Product Appearance

2.1. Product Details





3.

Product Parameters

3.1. LED Panel/Touch Parameters/Camera

Panel Size	75 inch
Aspect	16:9
Display Area	1649.664(H)×927.936(V)
Max. Resolution	3840×2160 Pixels
Pixel pitch	0.4296×0.4296mm(H×V)
Backlight	D-LED
Response Time	8ms

Refreshing Frequency	60Hz
Display Color	1.07B (10bit)
Brightness	350cd/m2
Contrast Ratio	1200:1 (Typ.)
Viewing Angle	178(H/V)
Anti-glare	Yes
Sensing Type	Infrared recognition
System	Windows10/Windows8/Windows7/WindowsXP Android/Linux/MacOSX/Chrome
Touch point	20 points touch
WritingResponse	≤3mm
Touch Tool	Stylus, Finger
Response Time	≤10ms
Accuracy	± 1mm(over 90%Area)
SurfaceHardness	Toughened Glass with Level 7 of Mohs Standard
OutputCoordinate	32767 × 32767
Camera	13MP1080P HD Camera
Microphone	6 Array Microphone

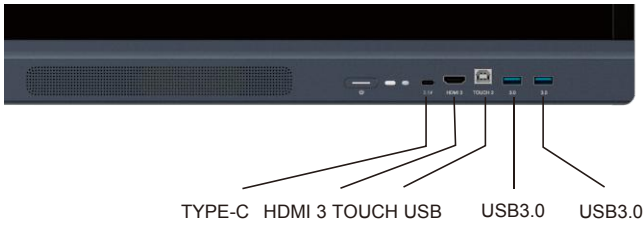
3.2. Android System Parameters

System Version	Android 11
Chipset	Amlogic T982
CPU	Quad core A55
GPU	Mali G52MP2
RAM/ROM	4GB/32GB

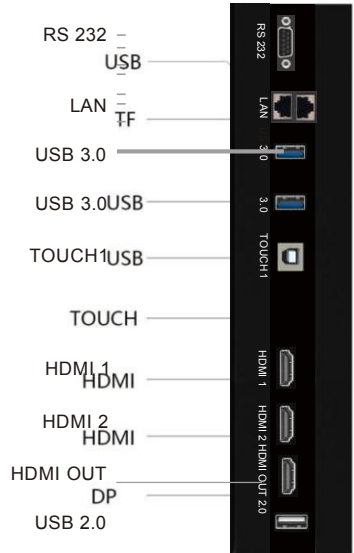
3.3. Android AIO interfaces

FRONT	TYPE-C	1 (Optional)
	HDMI	1
	TOUCH USB	1
	USB3.0	2
REAR	RS 232	1
	RJ45 IN	1
	RJ45OUT	1
	USB 3.0	2
	TOUCH USB	1
	HDMI	2
	USB 2.0	1
	HDMI OUT	1 (Optional)
BOTTOM	SPDIF	1
	AUDIO OUT	1
	AUDIO IN	1
	VGA	1

ANTERIOR INTERFACE



REAR INTERFACE



BOTTOM INTERFACE

3.4. General Parameters

Power Supply	100-240V~50/60Hz 3.5A
Overall Power (nominal power)	350W
Standby Power	≤0.5W
Speaker Type	Built-in Speaker
Output Power	2 × 16W

Outline(mm)	1709×1029×88
Package(mm)	1863×1148×225
Net (kgs)	47.65kg
Gross (kgs)	62.35kg
VESA(mm)	800×400
Working temperature	0°C~40°C
Working humidity	10%RH~90%RH - _C ~ - _C
Storage temperature	20 ~60
Storage humidity	10%~90%

4.

Accessories

Standard	User Manual	1piece
	Remote Control	1piece
	Power Cord	1piece
	Stylus	2piece
	WIFI Antenna	4piece
Optional	OPS PC	1piece
	HDMI Cable	1piece(1.5m)
	Touch USB Cable	1piece(1.5m)
	Mobile Floor Stand	1piece

5.Package & Installation

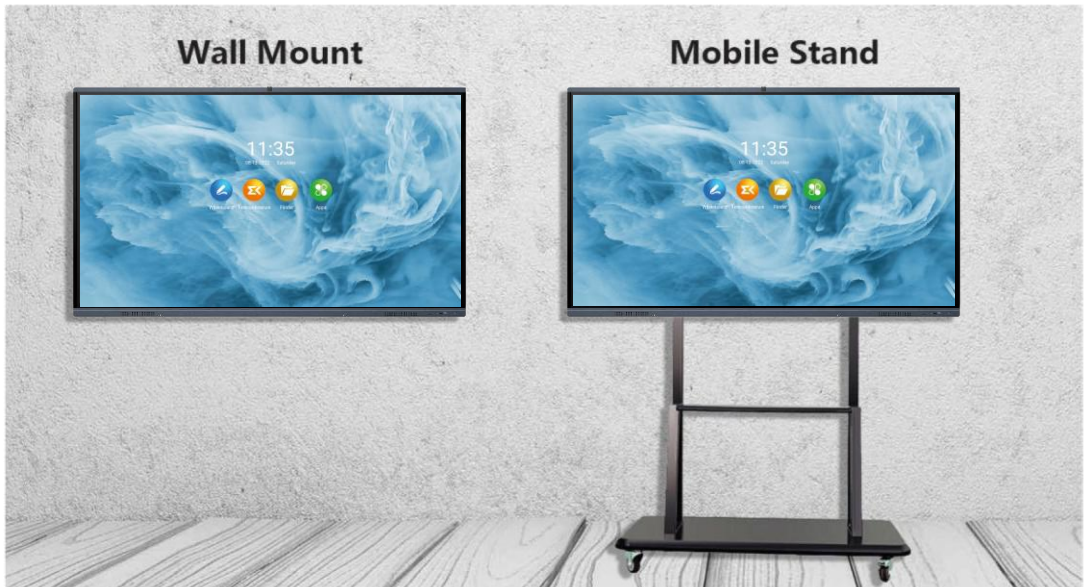
5.1.Package

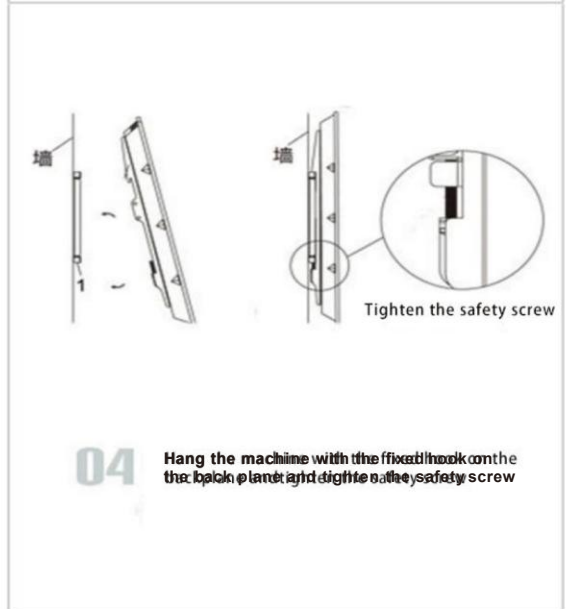
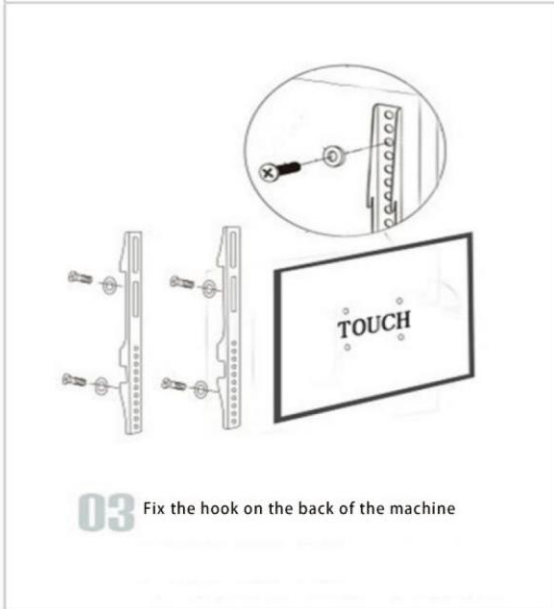
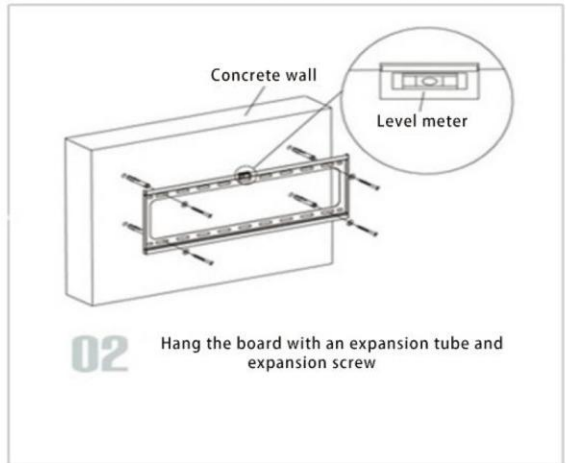
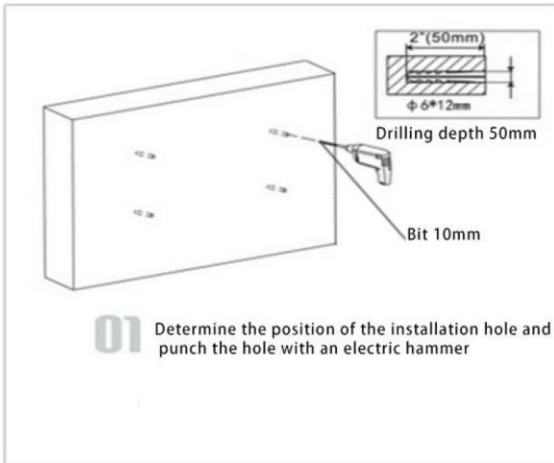
Standard Package:



Note: The above is the standard packaging of the product, the actual package is subject to the details if you have any questions, please contact us.

5.2 Installation





6. Disclaimer

Affected by product configuration and manufacturing process, the actual body size/body weight may be different, please refer to the actual product.

The product pictures in this specification are for illustration only, the actual product effects (including but not limited to appearance, color, size) may be slightly different, please refer to the actual product.

In order to provide accurate specifications as much as possible, the text description and picture effects of this specifications may be adjusted and revised in real time to match the actual product performance, specifications and other information.

If it is necessary to make the above modifications and adjustments, no special notice will be given.