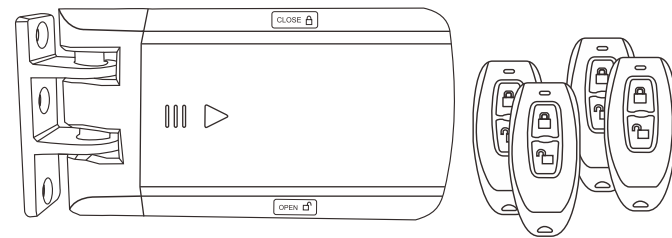


Wireless DIY Lock Kit



User Manual

INTRODUCTION

The Wireless DIY lock kit is for home use. Super strong 3M stickers provide a simple way for installation. 433MHz Rolling Code of encryption algorithm and the split design guarantee higher-secure. Because of ultra low power consumption, the Remote Transmitters can work as long as one year (bases on 30 times/day), the Wireless Lock can work 6 months. It will remind people to replace batteries intelligently if low battery.

Common Features:

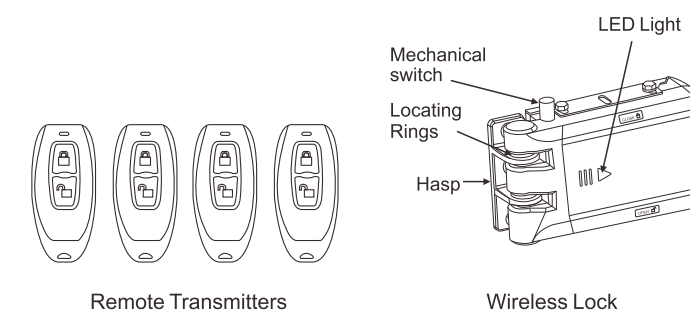
- With four Remote Transmitters
- Touch the Wireless Lock to open/close
- 433MHz Rolling Code technology
- Communication distance: 50m Max
- Ultra low power consumption

Specifications

Operating Voltage	Wireless Lock 2 units of AA batteries Remote Transmitter 1 unit of 2032 Lithium battery
Idle Current	All items ≤ 10uA
Working Current	Wireless Lock ≤ 60mA Remote Transmitter ≤ 3mA
Communication Frequency	433MHz
Communication Distance	50m Maximum
Operating Temperature	Wireless Lock -20°C ~ +60°C (-4°F ~ +140°F)
Operating Humidity	0% ~ 86%RH
Physical	Wireless Lock Zinc-Alloy Remote Transmitter ABS Shell
Dimensions	Wireless Lock L150*W80*D35(mm) Remote Transmitter L62*W27*D11.5(mm)
Unit Weight	Wireless Lock 800g Remote Transmitter 25g/pc
Shipping Weight	1200g

· 01 ·

Major Parts



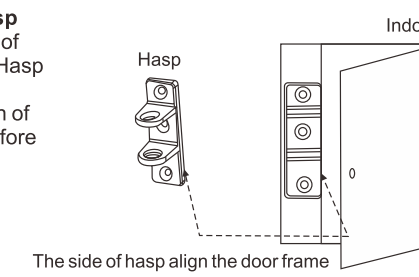
INSTALLATION

Method 1: Stick by 3M stickers

The device packed with 3M double-side stickers, can easily stick Wireless Lock on smooth surface (We used high-quality 3M stickers, the stickiness will be the best after sticking in 24 hours).

Below introduction for how to install Wireless Lock intensively:

Attentions of installing the Hasp
Confirm the direction and position of Hasp, meanwhile, make sure the Hasp align the doorframe. (So please make sure the direction of Hasp is fit for main body of lock before installation.)



The side of hasp align the door frame

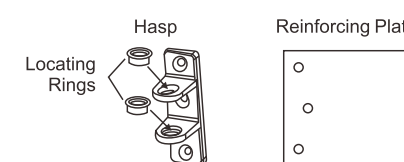
· 02 ·

Simplified Instruction

Function description	Operation
How to release the door	
By Remote Transmitter	Press
By Wireless Lock	Touch
Lock Immediately	
By Remote Transmitter	Press
By Wireless Lock	Touch

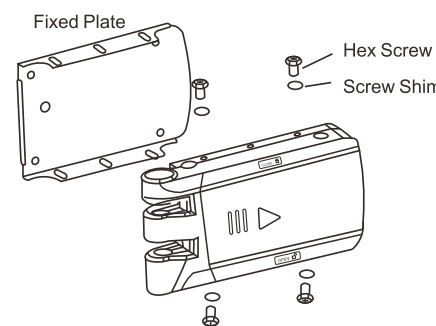
Installing the Hasp

Put the Locating Rings into Hasp, and stick the 3M sticker at the back side of Hasp (You can screw the hasp on the Reinforcing Plate if needed, then stick 3M sticker at the back of plate. It can increase the stick area to make the Hasp stronger).



Installing the main body of lock

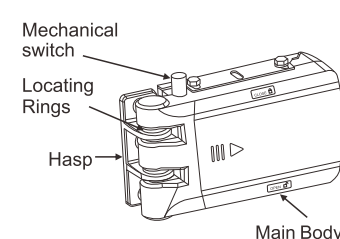
Fix the main body of lock and the Fixed Plate by M5*6 hex screws in the packaging, and stick the 3M sticker on the back of Fixed Plate.



Combining the lock

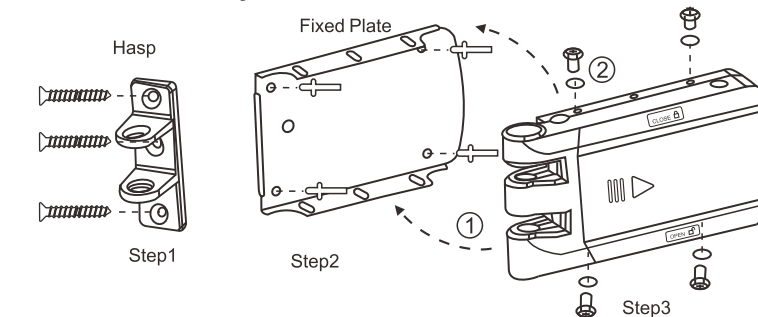
Press the Mechanical Switch on the main body of lock to open the lock mechanically, and match the Hasp. Make sure it can be combined with Hasp perfectly, then stick the main body of lock on the door.

Note: Mechanical Switch, it is used for installation and equipment trouble, please don't press it often in the normal condition. When press the Mechanical Switch, the lock will be unlock all the time until open the door one time by valid card, or valid PIN, or touch the close icon on the Lock, or unlock button on Remote Transmitter.



· 03 ·

Method 2: Install by screws



OPERATION

How to Open & Close the lock when the user is inside the door?

Programming Step	Ways
Open the lock	Touch on the lock
Close the lock	Touch on the lock
By Remote Transmitter	Press

Lock Immediately

The Wireless Lock will be locked automatically around 5 seconds after we open it. If we want to lock it faster, please press on the Remote Transmitter, or touch on the Wireless lock, it will lock immediately.

Pair Remote Transmitter with Wireless Lock

(They are already paired when out of factory, if no problem, the users do not need to do this operation in using.)

Note: 1. The Wireless Lock can pair 16pcs of Remote Transmitters maximum.

2. When pairing, all parts must be paired, then exit pairing mode. If need adding one more part, you still need to pair all parts again.

Step 1: Enter pairing mode

Open the battery cover of Wireless Lock, press the small round button left of battery with a slender rod, hold it for 3 seconds until hearing one long beep, and two short beeps, that means in the pairing status.

· 04 ·

Step 2: Pairing Wireless Keypad

Press the button "0 #" on the keypad, there will be one beep from Lock, that means pairing successfully.

Step 3: Pairing Remote Transmitter

Press any button on the Remote Transmitter, there will be one beep from Lock, that means pairing successfully.

Auto-lock or Non-auto-lock

The device will be automatically locked after 5 seconds in default. If the users don't want the lock auto-lock. It can be programmed manually.

Open the battery cover of the wireless lock, press the small round button above the LED indicator, hold it for 1.5 seconds, LED shines RED, means it switched to Non-auto-lock; hold it for another 1.5 seconds, LED shines BLUE, means it switched to Auto-lock.

Packing List

Name	Quantity
Packaging box	1pc
Wireless Lock	1pc
Remote Transmitter	4pcs
Manual	1pc
Screw Driver	1pc
Wall Fixing Plus	4pcs
Self Tapping Screws	4pcs
Accessories of Wireless Lock	4sets
3M Stickers	4pcs

· 05 ·

Sound and Light Indication

Device	Operation Status	Red LED	Green LED	Buzzer
Lock	Pairing	ON	--	One long beep
	Unlock the lock	ON for 1 second	--	Two beeps
	Lock	ON for 1 second	--	One beep
	Low battery reminding	LED shining, and beeps (Note: The lock will open automatically when the battery is too low or run out, please change the battery IN TIME!)		
Remote Transmitter	Press button	LED ON for 1 second		
	Low battery reminding	When the LED is dim, please change the battery		

· 06 ·